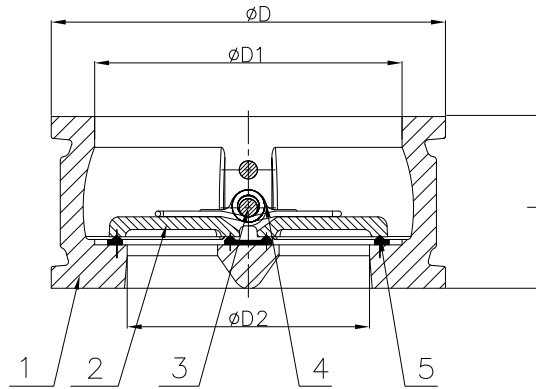


PRODUCT FEATURE



1. SHORT STRUCTURAL LENGTH, SMALL VOLUME, AND LIGHT WEIGHT
2. THE VALVE DISC CLOSSES QUICKLY AND THE WATER HAMMER PRESSURE IS LOW
3. BOTH HORIZONTAL AND VERTICAL PIPELINES CAN BE USED, MAKING INSTALLATION CONVENIENT
4. SENSITIVE ACTION AND GOOD SEALING PERFORMANCE
5. THE VALVE DISC HAS A SHORT STROKE, LOW IMPACT FORCE, LONG SERVICE LIFE, AND HIGH RELIABILITY
6. THE CHECK VALVE ADOPTS HIGH-QUALITY MATERIALS AND STRICT PRODUCTION PROCESSES, WHICH HAVE HIGH RELIABILITY AND SERVICE LIFE. MEANWHILE, ITS REASONABLE STRUCTURAL DESIGN ALSO MAKES THE VALVE EASY TO MAINTAIN AND REPLACE.



MATERIAL SPECIFICATION

Part No.	Part	Standard Specification	Options
1	Valve Body	ASTM A536, 65-45-12	
2	Disc	AISI 316	ASTM A536, 65-45-12, SS316, AL-Bronze UNC 95400
3	Stem	AISI 420	AISI 304, AISI 316, AISI 416
4	Spring	AISI 304	AISI 316
5	Rubber Seat	EPDM	NBR

Note: For special material request other than standard specification, please indicate clearly on the inquiry or order list.



**DOUBLE DOOR WAFER CHECK GMC-WCV
GLOBE MECHANICAL CONTROL LLC.**

DN		Dimensions(mm)			
Inch	mm	L	D	D1	D2
2"	50	54	106	68	46
2.5"	65	60	127	78	60
3"	80	57	134	102	70
4"	100	67	162	117	84
5"	125	83	194	145	115
6"	150	95	218	170	134
8"	200	127	277	226	184
10"	250	140	336	265	220
12"	300	181	406	310	260
14"	350	184	447	360	302
16"	400	191	505	410	350

Weight – lb. (kg)

SIZE	D100	D150
Weight	4.2376	9.1306

NAMEPLATE

