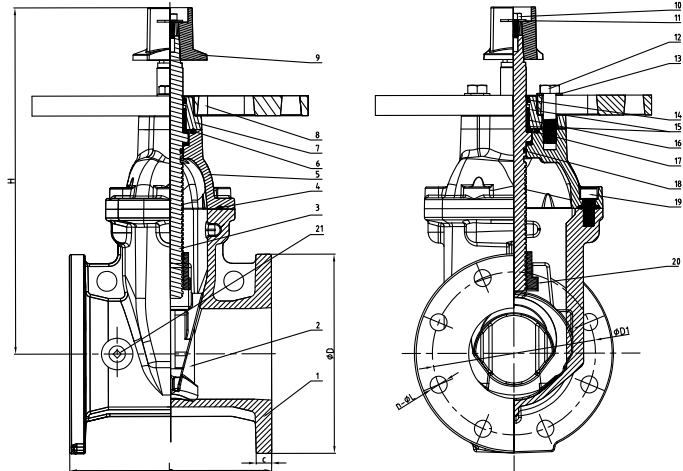


PRODUCT FEATURE



1. FULL CHANNEL DESIGN WITH LOW HEAD LOSS;
2. SMALL OPENING AND CLOSING TORQUE, STABLE AND RELIABLE SEALING, AND LONG SERVICE LIFE;
3. FULL COVERAGE RUBBER INJECTION VULCANIZATION PROCESS TO PROTECT WATER QUALITY AND HYGIENE;
4. USING NON-TOXIC EPOXY RESIN POWDER ELECTROSTATIC COATING, WITH GOOD PROTECTIVE PERFORMANCE;
5. THE TOP FLANGE AND VALVE STEM CAP ADOPT STANDARD DESIGN AND CAN BE DIRECTLY MATCHED WITH VERTICAL INDICATORS AND WALL INDICATORS, AND CAN BE USED IN UNDERGROUND OR NARROW SPACES;
6. FULL CERTIFICATION: UL, FM.



MATERIAL SPECIFICATION

Part No.	Part	Standard Specification	Options
1	Valve Body	ASTM A536, 65-45-12	
2	Resilient Wedge Disc	ASTM A536, 65-45-12+EPDM	
3	Stem	Stainless Steel	AISI 304, AISI 316
4	Bonnet Gasket	EPDM	NBR
5	Bonnet	ASTM A536, 65-45-12	
6	O-Ring	NBR	
7	Gland	ASTM A536, 65-45-12	
8	Indicator Post Flange	ASTM A536, 65-45-12	
9	Square Operating Nut	ASTM A536, 65-45-12	
10	Bolt	AISI 304	AISI 316
11	Flat Washer	AISI 304	AISI 316
12	Bolt	AISI 304	AISI 316
13	Flat Washer	AISI 304	AISI 316
14	Ring Wiper	EPDM	NBR
15	O-Ring	NBR	EPDM
16	Axis Guide	Brass HPb59-1	
17	Washer	Brass HPb59-1	
18	O-Ring	NBR	EPDM
19	Bolt	Carbon Steel Zinc Plated	AISI 304, AISI 316
20	Wedge Nut	Brass HPb59-1	Bronze ZQSn5-5-5

Note: For special material request other than standard specification, please indicate clearly on the inquiry or order list.
 Size 4"-5" with 1pc of 1/2" bronze NPT tapping plug, size 6"-12 with 1pc of 3/4" bronze NPT tapping plug.



**NRS GATE VALVE GMC-NRS-FF
GLOBE MECHANICAL CONTROL LLC.**

DN		Dimensions(mm)					
Inch	mm	L	H	D	D1	C	n-ΦL
4"	100	229	395	229	190.5	19.1	8-Φ19.1
5"	125	254	432	254	215.9	19.1	8-Φ22.2
6"	150	267	475	279	241.3	19.1	8-Φ22.2
8"	200	292	585	343	298.5	22.2	8-Φ22.2
10"	250	330	656	406	362	23.8	12-Φ25.4
12"	300	356	751	483	431.8	25.4	12-Φ25.4
14"	350	381	952	533	476.3	25.4	12-Φ28.6
16"	400	406	952	597	539.8	25.4	16-Φ28.6
18"	450	432	1178	635	577.9	30	16-Φ31.8
20"	500	457	1199	699	635	31.5	20-Φ31.8
24"	600	508	1367	813	749.3	36	20-Φ34.9

Weight – lb. (kg)

SIZE	D100	D150	D200
Weight	18.8377	29.7194	50.1451

NAMEPLATE

