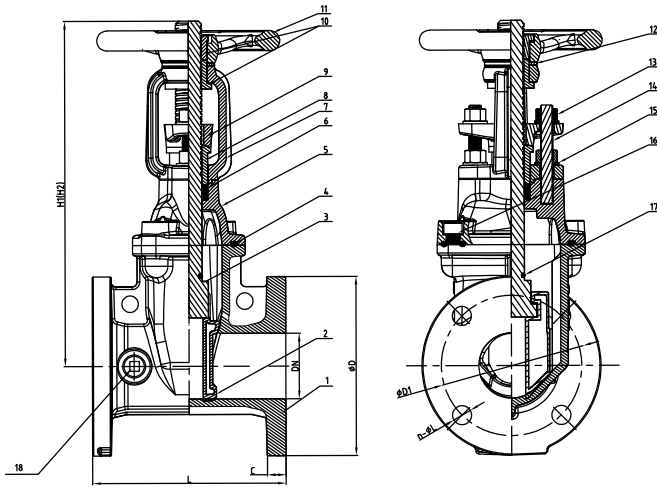


PRODUCT FEATURE



1. FULL CHANNEL DESIGN WITH LOW HEAD LOSS;
2. SMALL OPENING AND CLOSING TORQUE, STABLE AND RELIABLE SEALING, AND LONG SERVICE LIFE;
3. FULL COVERAGE RUBBER INJECTION VULCANIZATION PROCESS TO PROTECT WATER QUALITY AND HYGIENE;
4. USING NON-TOXIC EPOXY RESIN POWDER ELECTROSTATIC COATING, WITH GOOD PROTECTIVE PERFORMANCE;
5. THE VALVE BONNET BOLTS ARE DESIGNED WITH COUNTERSUNK WAX SEALING, WHICH EFFECTIVELY PREVENTS RUSTING OF BOLTS IN HARSH ENVIRONMENTS SUCH AS HUMIDITY;
6. FULL CERTIFICATION: UL, FM.



MATERIAL SPECIFICATION

Part No.	Part	Standard Specification	Options
1	Valve Body	ASTM A536, 65-45-12	
2	Resilient Wedge Disc	ASTM A536, 65-45-12+EPDM	
3	Stem	Stainless Steel	AISI 304, AISI 316, Al-bronze
4	Bonnet Gasket	EPDM	NBR
5	Bonnet	ASTM A536, 65-45-12	
6	Packing	EPDM	
7	Yoke	ASTM A536, 65-45-12	
8	Stem Bushing	Brass Hpb59-1	
9	Gland	ASTM A536, 65-45-12	
10	Stem Nut	Brass Hpb59-1	Bronze ZQSn5-5-5
11	Handwheel	ASTM A536, 65-45-12	Pressed Steel
12	Washer	Brass Hpb59-1	
13	Gland Nut	AISI 304	AISI 316
14	Stud	AISI 304	AISI 316
15	Flat Washer	AISI 304	AISI 316
16	Bolt	Carbon Steel Zinc Plated	AISI 304, AISI 316
17	O-Ring	NBR	EPDM
18	Plug	C89833	

Note: For special material request other than standard specification, please indicate clearly on the inquiry or order list.
 Size 2"-5" with 1pc of 1/2" bronze NPT tapping plug, size 6"-12 with 1pc of 3/4" bronze NPT tapping plug.



**OS&Y GATE VALVE GMC-OSY-FF
GLOBE MECHANICAL CONTROL LLC.**

DN		Dimensions(mm)						
Inch	mm	L	H1(Close)	H2(Open)	D	D1	C	n-ΦL
2"	50	178	348	400	152	120.7	16.0	4-Ø19.1
2.5"	65	190	373	440	178	139.7	17.5	4-Ø19.1
3"	80	203	408	490	191	152.4	19.1	4-Ø19.1
4"	100	229	471	573	229	190.5	19.1	8-Ø19.1
5"	125	254	541	665	254	215.9	19.1	8-Ø22.2
6"	150	267	601	755	279	241.3	19.1	8-Ø22.2
8"	200	292	774	975	343	298.5	22.2	8-Ø22.2
10"	250	330	939	1193	406	362.0	23.8	12-Ø25.4
12"	300	356	1065	1370	483	431.8	25.4	12-Ø25.4
14"	350	381	1415	1780	528	476.3	25.4	12-Φ28.6
16"	400	406	1385	1790	592	539.8	25.4	16-Φ28.6
18"	450	432	1835	2290	635	577.9	25.4	16-Φ31.8
20"	500	457	1830	2380	710	635	28.6	20-Φ31.8
24"	600	508	2030	2830	836	749.3	30.1	20-Φ34.9

Weight – lb. (kg)

SIZE	D65	D80	D100	D150	D200	D250
Weight	10.1255	13.6336	18.8377	29.7194	50.1451	63.7508

NAMEPLATE

