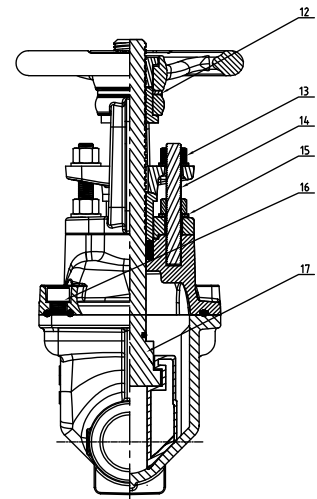
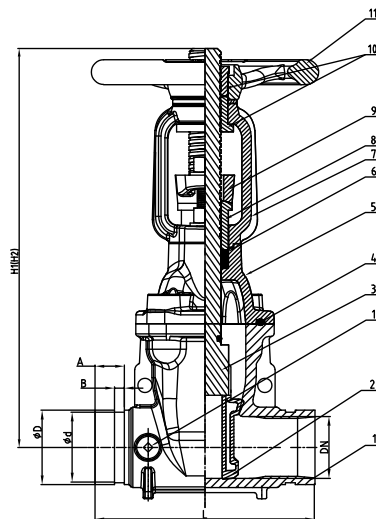


**PRODUCT FEATURE**

1. FULL CHANNEL DESIGN WITH LOW HEAD LOSS;
2. SMALL OPENING AND CLOSING TORQUE, STABLE AND RELIABLE SEALING, AND LONG SERVICE LIFE;
3. FULL COVERAGE RUBBER INJECTION VULCANIZATION PROCESS TO PROTECT WATER QUALITY AND HYGIENE;
4. USING NON-TOXIC EPOXY RESIN POWDER ELECTROSTATIC COATING, WITH GOOD PROTECTIVE PERFORMANCE;
5. THE VALVE BONNET BOLTS ARE DESIGNED WITH COUNTERSUNK WAX SEALING, WHICH EFFECTIVELY PREVENTS RUSTING OF BOLTS IN HARSH ENVIRONMENTS SUCH AS HUMIDITY;
6. FULL CERTIFICATION: UL, FM.



**MATERIAL SPECIFICATION**

Part No.	Part	Standard Specification	Options
1	Valve Body	ASTM A536, 65-45-12	
2	Resilient Wedge Disc	ASTM A536, 65-45-12+EPDM	
3	Stem	Stainless Steel	AISI 304, AISI 316
4	Bonnet Gasket	EPDM	NBR
5	Bonnet	ASTM A536, 65-45-12	
6	Washer	Brass HPb59-1	
7	Yoke	ASTM A536, 65-45-12	
8	Stem Bushing	Brass Hpb59-1	
9	Gland	ASTM A536, 65-45-12	
10	Stem Nut	Brass Hpb59-1	Bronze ZQSn5-5-5
11	Handwheel	ASTM A536, 65-45-12	Pressed Steel
12	Washer	Brass HPb59-1	
13	Gland Nut	AISI 304	AISI 316
14	Stud	AISI 304	AISI 316
15	Flat Washer	AISI 304	AISI 316
16	Bolt	Carbon Steel Zinc Plated	AISI 304, AISI 316
17	O-Ring	NBR	EPDM

Note: For special material request other than standard specification, please indicate clearly on the inquiry or order list.  
 Size 2"-3" with 1pc of 3/8" bronze NPT tapping plug, size 4"-5" with 1pc of 1/2" bronze NPT tapping plug, size 6"-12 with 1pc of 3/4" bronze NPT tapping plug.



**OS&Y GATE VALVE GMC-OSY-GG**  
**GLOBE MECHANICAL CONTROL LLC.**

DN		Dimensions(mm)						
Inch	mm	L	H1(Close)	H2(Open)	OD	d	A	B
2"	50	178	348	400	60.3	57.15	15.88	7.92
2.5"	65	190	373	440	73	69.09	15.88	7.92
3"	80	203	408	490	88.9	84.94	15.88	7.92
4"	100	229	471	573	114.3	110.08	15.88	9.52
5"	125	254	541	665	141.3	137.03	15.88	9.52
6"	150	267	601	755	168.3	163.96	15.88	9.52
8"	200	292	774	975	219.1	214.4	19.05	11.13
10"	250	330	1029	1283	273	268.28	19.05	12.7
12"	300	356	1065	1370	323.9	318.29	19.05	12.7

Weight – lb. (kg)

SIZE	D73	D89	D114	D168	D219	D273
Weight	4.9329	7.2712	10.8913	17.5425	30.19	48.2842

**NAMEPLATE**

