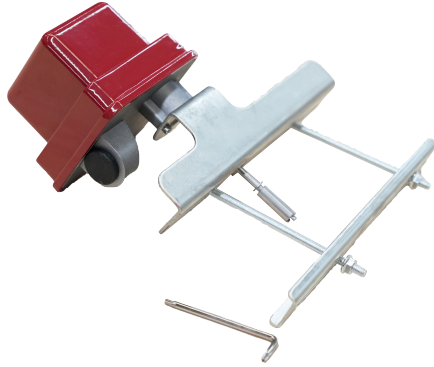


PRODUCT FEATURE



1.DOUBLE MICRO SWITCH DESIGN

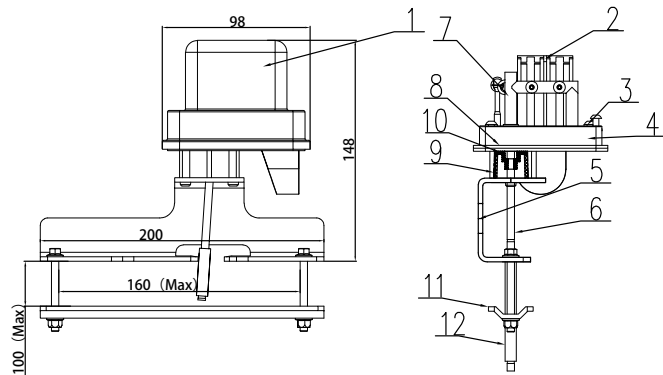
DOUBLE MICRO SWITCH DESIGN REDUCES THE RISK OF FALSE SIGNAL DELIVERY CAUSED BY TAMPER SWITCH MALFUNCTION. MEANWHILE, MULTI-SIGNAL TRANSMISSION CAN MEET DIFFERENT REQUIREMENT OF MORE CUSTOMERS.

2.ADJUSTABLE SCREW DESIGN

WITH ACCURATE ADJUSTMENT SUPPORTED BY THE ADJUSTABLE SCREW, THE TWO TAMPER SWITCHES CAN BE TRIGGERED SYNCHRONOUSLY. IT IS CONVENIENT TO DO MICRO-ADJUSTMENT AFTER INSTALLATION ON THE OS&Y GATE VALVE.

3.IP GRADE: IP65

DUST PROOF AND WATER PROOF, GOOD GUARANTEE FOR THE INNER STRUCTURE SAFETY.



MATERIAL SPECIFICATION

Part No.	Part	Standard Specification	Options
1	Outer Shell	ADC12	
2	Brace	Carbon Steel Q235	AISI 304, AISI 316
3	Micro Switch		
4	Base	ADC12	
5	Connection Plate	Carbon Steel Q235	AISI 304, AISI 316
6	Driving Lever	AISI 304	AISI 316
7	Axis	Nylon	
8	Sealing Gasket	CR Foam Cotton	
9	Pressing Sleeve	PTFE	
10	Rubber Ring	EPDM	
11	Clamp Plate	Carbon Steel Q235	

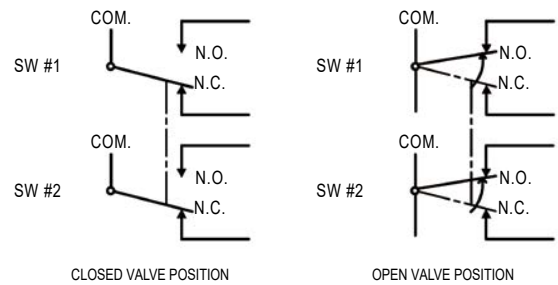
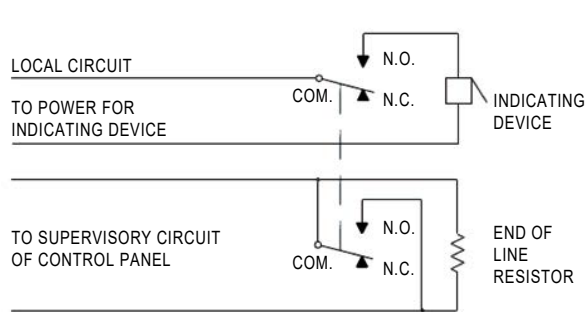
Note: For special material request other than standard specification, please indicate clearly on the inquiry or order list.



SUPERVISORY SWITCH GMC-SSGV
GLOBE MECHANICAL CONTROL LLC.

DN		Dimensions(mm)				
Inch	mm	A	B	H	L	Dmax
2"-16"	50-400	99	68	148	200	105
18"-24"	450-600	99	68	148	360	135

TYPICAL ELECTRICAL CONNECTIONS



Contact Ratings: 15 Amps at 125/250VAC

NAMEPLATE

