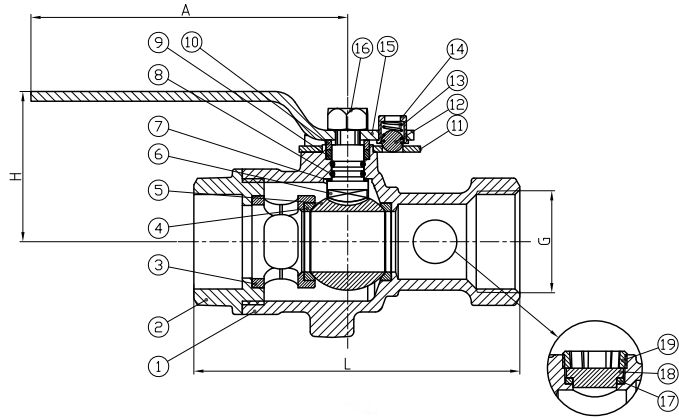


**PRODUCT FEATURE**



1. THE TEST & DRAIN VALVE INTEGRATES THE FUNCTIONS OF TEST AND DRAIN, AND COMPLIES WITH THE REQUIREMENTS OF NFPA-13, NFPA-13D AND NFPA-13R
2. TEST-DRAIN-OFF, 3 LOCKING POSITIONS DESIGN.
3. PRECISE SET FLOW COEFFICIENT, WITH DEVIATION < 5%.
4. AVAILABLE WITH NPT THREAD OPTIONS.
5. SIGHT GLASS AT THE END FOR WATER FLOW OBSERVATION.
6. LOW OPERATION TORQUE.
7. COMPACT STRUCTURE AND LIGHT WEIGHT.
8. BRASS BODY, CHROME PLATED BRASS BALL, PTFE SEAT, WITH HIGH WEAR AND CORROSION RESISTANCE PERFORMANCE, AND SERVICE LIFE OVER 1000 TIMES.



**MATERIAL SPECIFICATION**

| Part No. | Part                   | Standard Specification | Options  |
|----------|------------------------|------------------------|----------|
| 1        | Body                   | CW617N                 |          |
| 2        | Bonnet                 | CW617N                 |          |
| 3        | Bonnet Extension       | CW612N                 |          |
| 4        | Ball Seat              | PTFE                   |          |
| 5        | Ball                   | CW617N                 |          |
| 6        | Stem                   | CW612N                 |          |
| 7        | Stem Seal              | PTFE                   |          |
| 8        | O-Ring                 | NBR                    |          |
| 9        | Stem Seal              | PTFE                   |          |
| 10       | Ring                   | CW612N                 |          |
| 11       | Label Plate            | AISI 304               | AISI 316 |
| 12       | Bearing Ball           | AISI 304               | AISI 316 |
| 13       | Spring                 | AISI 304               | AISI 316 |
| 14       | Bearing Ball Centering | CW612N                 |          |
| 15       | Lever                  | AISI 304               | AISI 316 |
| 16       | Nut With Fiber         |                        |          |
| 17       | Sight Glass Seal       | EPDM                   |          |
| 18       | Sight Glass            | PMMA                   |          |
| 19       | Sight Glass Gasket     | CW612N                 |          |

Note: For special material request other than standard specification, please indicate clearly on the inquiry or order list.

A  
  
E



**TEST AND DRAIN GMC-TADV**  
**GLOBE MECHANICAL CONTROL LLC.**

| DN     |    | Dimensions(mm) |      |       |                        |
|--------|----|----------------|------|-------|------------------------|
| Inch   | mm | L              | H    | A     | G                      |
| 1"     | 25 | 134.5          | 63.5 | 130   | BSPT 1"/NPT 1"         |
| 1 1/4" | 32 | 135.5          | 64.5 | 132.5 | BSPT 1 1/4"/NPT 1 1/4" |
| 1 1/2" | 40 | 163.5          | 79   | 152   | BSPT 1 1/2"/NPT 1 1/2" |
| 2"     | 50 | 167            | 79   | 152   | BSPT 2"/NPT 2"         |

Weight – lb. (kg)

| SIZE   | D25    | D50    |
|--------|--------|--------|
| Weight | 4.2376 | 9.1306 |

A

E

